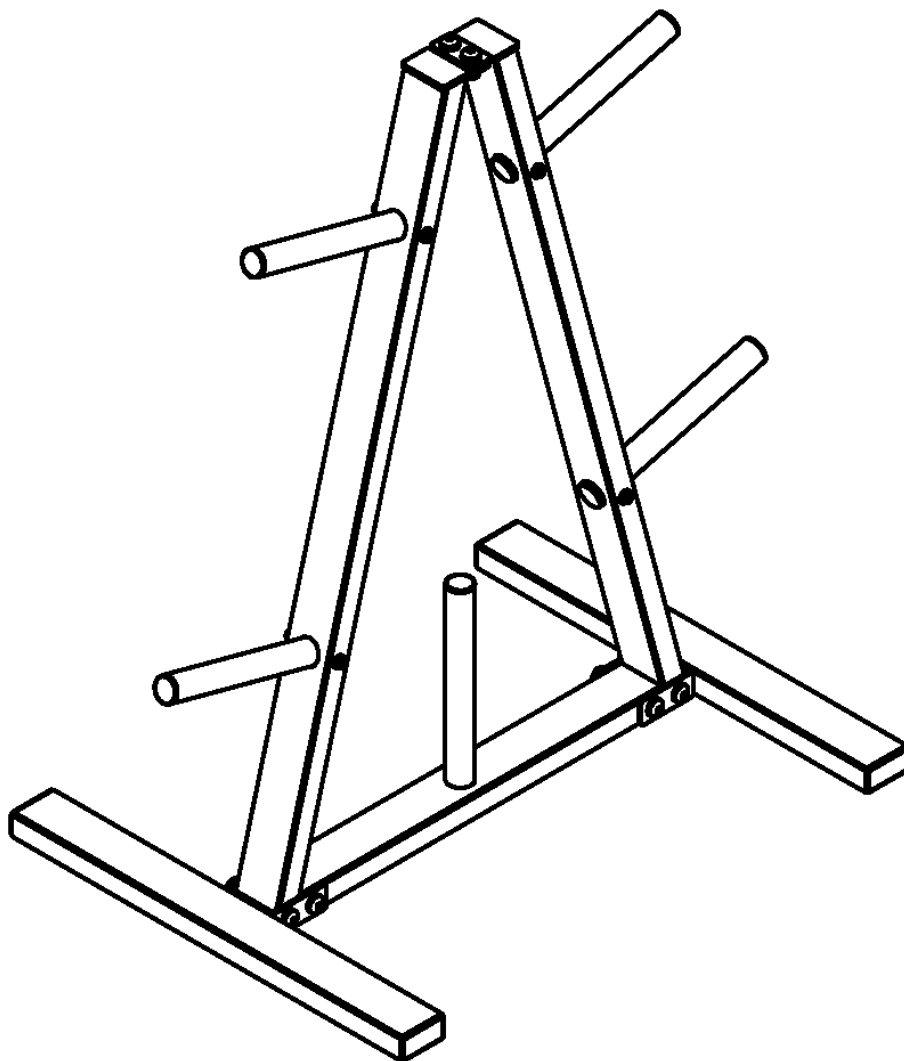


MARCY[®]

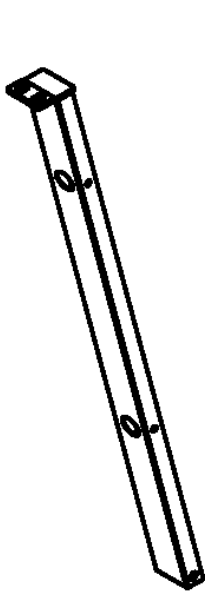
STANDARD PLATE TREE STORAGE RACK PT-5733



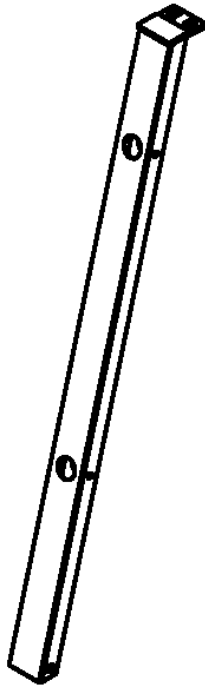
IMPORTANT: Please read the Important Safety Notice and Assembly Information in the Owner's manual before assembling this product.

Assembly Manual

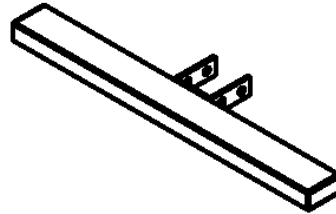
180703



① × 1



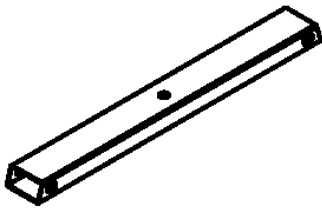
② × 1



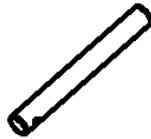
③ × 2



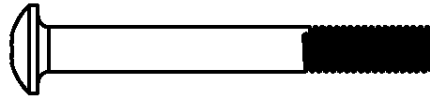
④ × 1



⑤ × 1



⑥ × 4



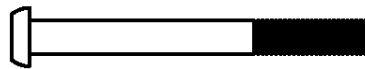
⑨×4



⑩×1



⑪×2



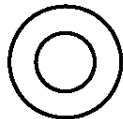
⑫×4



⑬×6



⑭×4



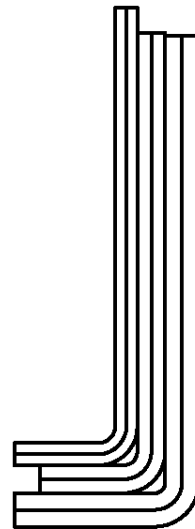
⑮×1



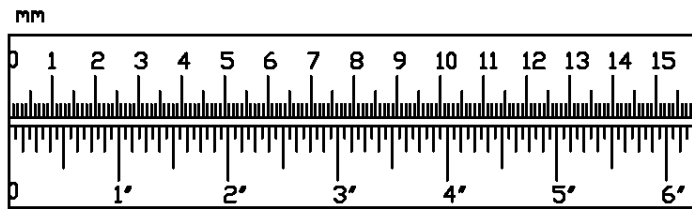
⑯×12



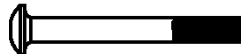
⑰×8



6#5#4#×1



9



x2 M8x2 3/4"

16

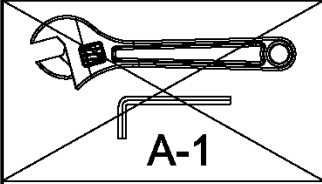


x4 Φ 5/8"

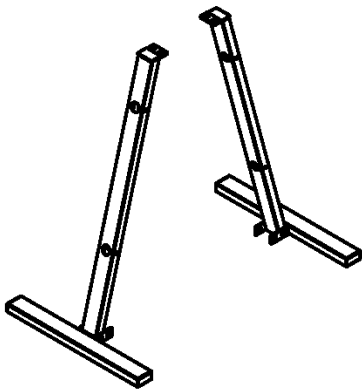
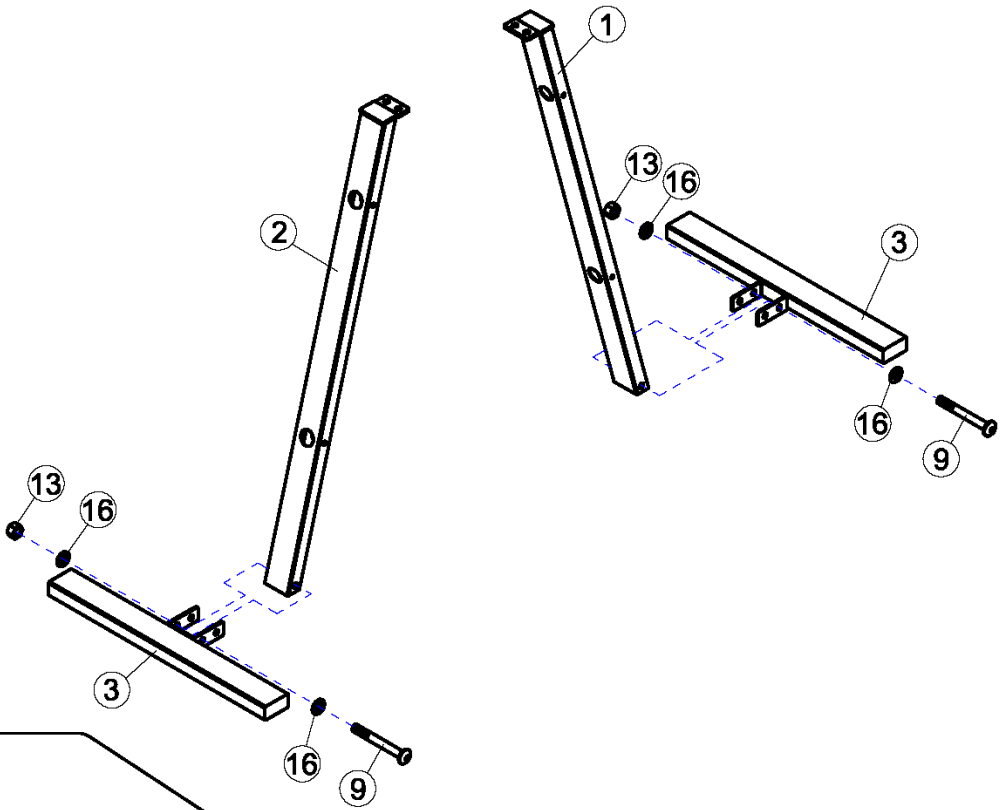
13



x2 M8

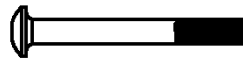


A-1



1

12



x4 M6x2 2/5"

17

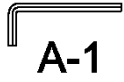


x8 Φ1/2"

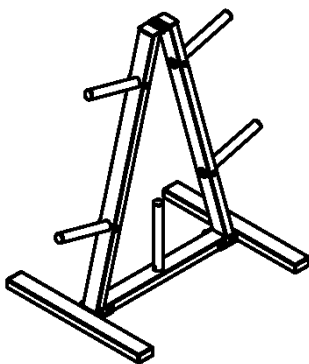
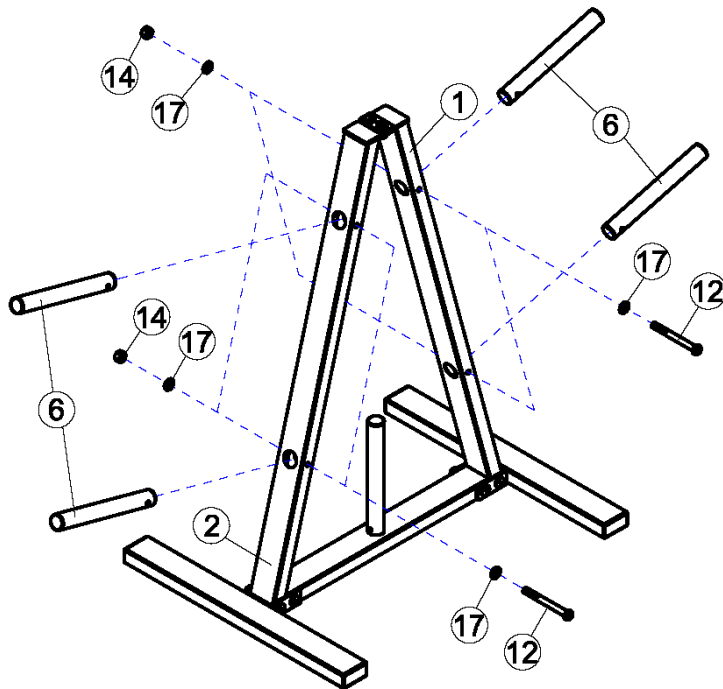
14



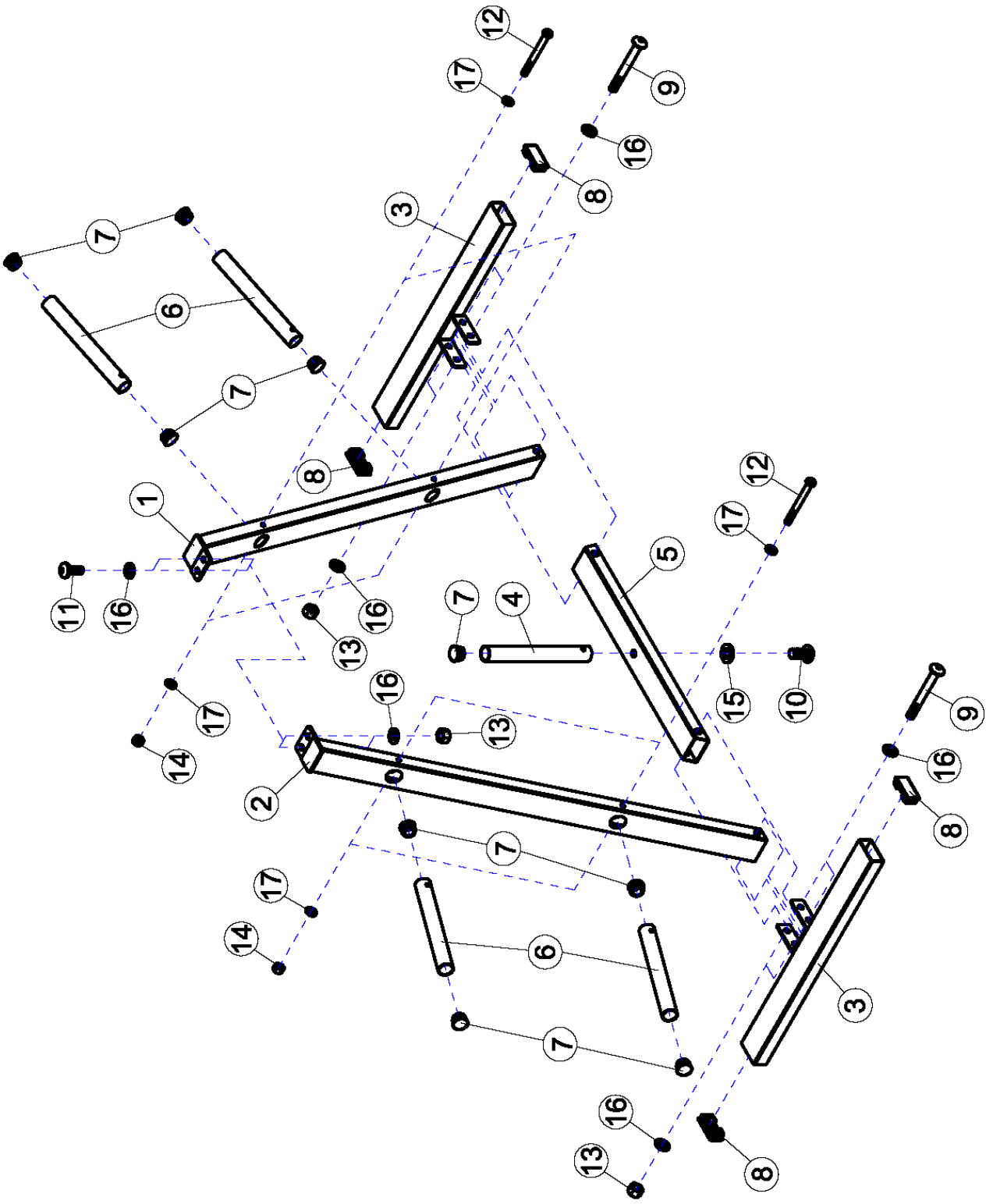
x4 M6



A-1



3



IMPEX® INC.

2801 South Towne Avenue, Pomona, California 91766

Tel: (800) 999-8899 Fax: (626) 961-9966

www.marcypro.com

support@impex-fitness.com